

SLIDING SHUTTERS



www.luxalon.com

LUXALON

Sun Control Systems

A HunterDouglas[®] PRODUCT

System Description

Luxalon® Sliding Shutters are a new design trend in architecture. The system, vertically mounted to the façade, gives the architect the opportunity not only to focus on sun control and privacy, but also on the façade's visual enhancement. The Luxalon® Sliding Shutters are manufactured from high quality materials and are suitable for many different types of buildings. The features offered by these shutters allow them to be incorporated during the early design stage.

- The fins in the aluminium extruded frame are available in two materials:
 - Aluminium
 - Western Red Cedar (wood)
- The range of options consists of 5 fins of different shapes, 4 of which are in aluminium and 1 in Western Red Cedar
- Finishing options:
 - Aluminium frames and fins can be anodised or powder coated in a wide range of colours
 - Western Red Cedar is a durable wood, which can be used untreated or oiled
- Frames, which form the casing of the shutter carry the fins, they can vary in dimension depending on the wind loads
- Fins can be applied in either a fixed or an adjustable configuration
- Top and bottom rails, runners and necessary hardware are part of the system. Various rail brackets permit in easy installation



Shutter Layout

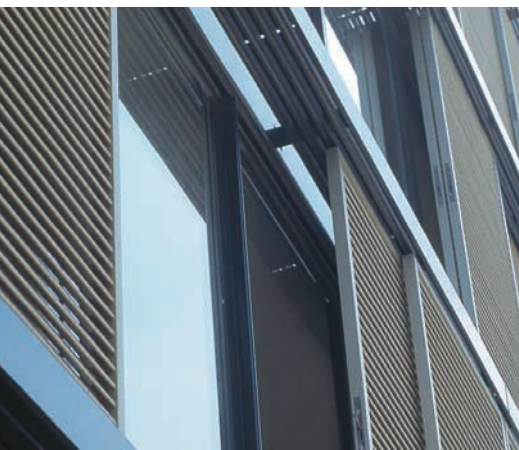
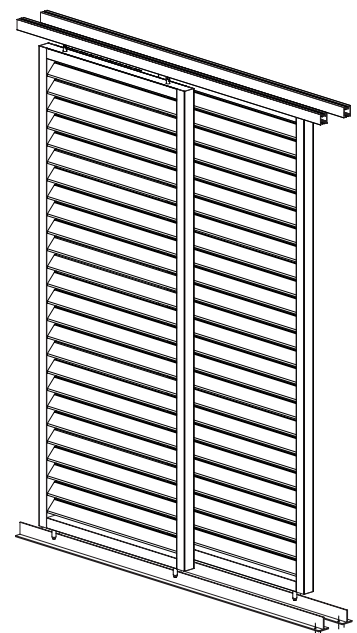
A frame built with extruded aluminium rectangular sections forms the casing of the shutters. There are two possible frame types, depending on the shutter height, width and local conditions. Please refer to the applicable span table:

- 40 x 50 mm for fixed configuration
- 40 x 60 mm for fixed and adjustable configuration

The shutters have a slim top and bottom rail mechanism. Completing the system with top runners, bottom runners and end stop, ensures smooth running at all times.

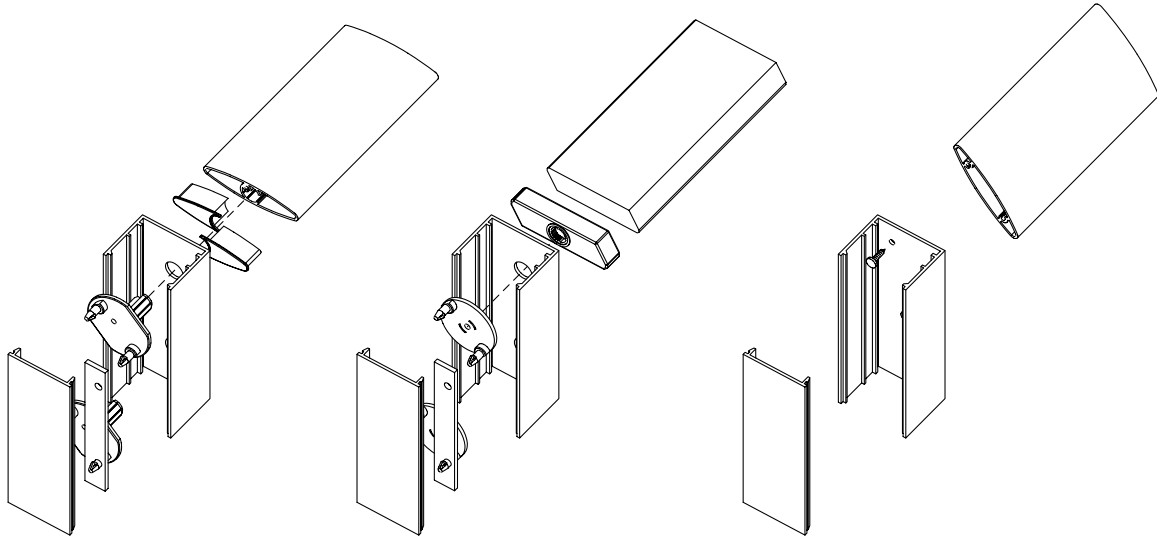
Various aluminium extruded or Western Red Cedar wooden fins are fitted in this frame with Luxalon® proprietary parts. The centre to centre distance between the fins may be varied to achieve the required shade angle or to allow more natural daylight into the building interior. Fins are available in 5 different types, as shown:

- Types 1 - 3 in aluminium, for fixed application. By varying the centre to centre distance, a shading angle of 7°, 20° or 34° can be achieved
- Types 4 - 5 for adjustable application, in aluminium and Western Red Cedar respectively. Both types are adjustable from horizontal position to fully closed



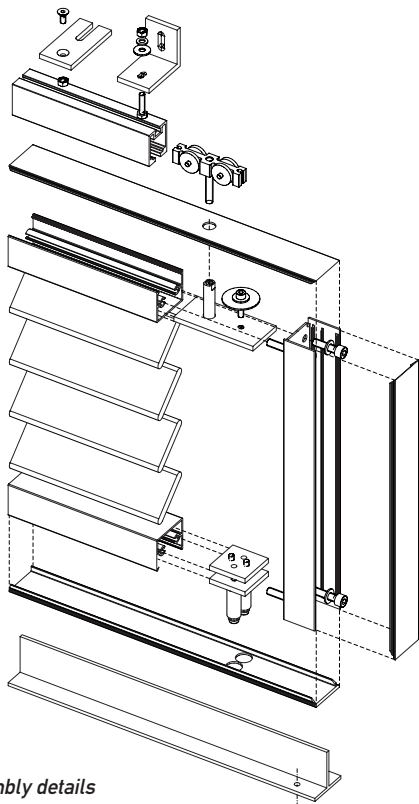
Installation

Luxalon® Shutters allow easy and quick installation with very few tools. Multiple rail fixtures are available, permitting the rail system to be fixed to either the façade or between floors depending on the project requirements. Once the rail system has been fitted, the top runners slide into the rails. Finally, the shutters are positioned and fitted to the runners. An end stop can be used to mark the end position of the shutter.



Adjustable system

Fixed system



Assembly details

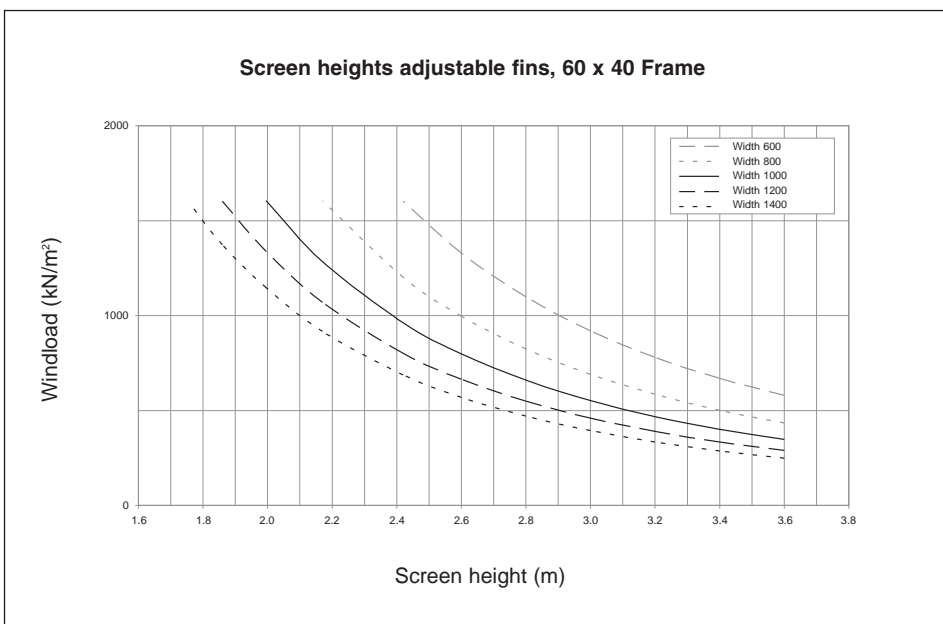
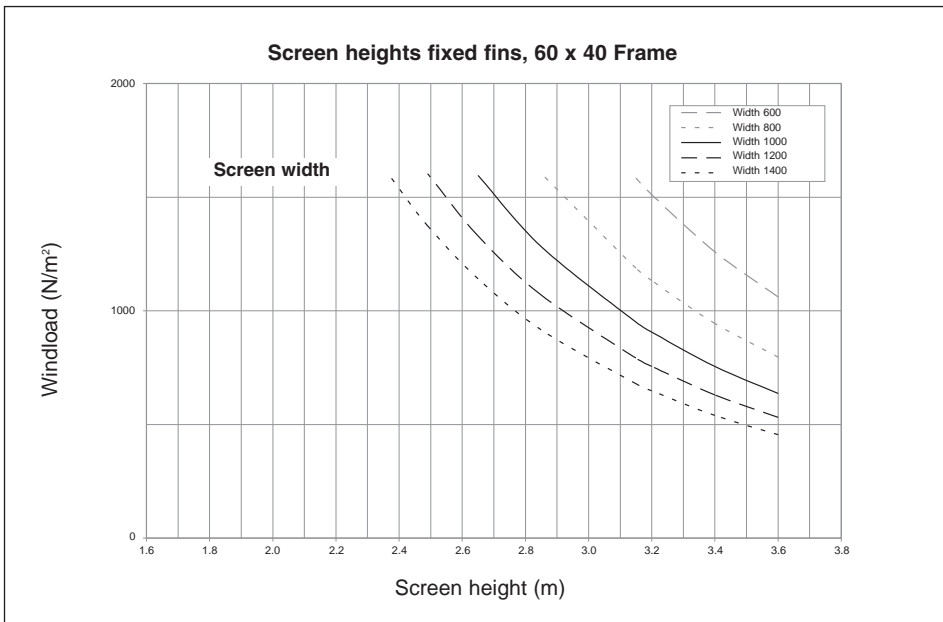
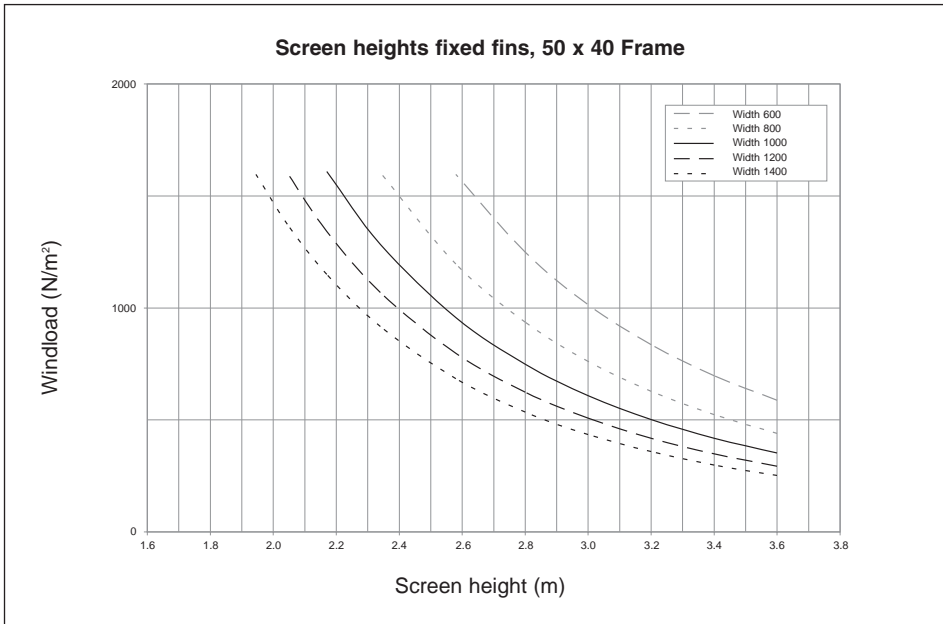


Patents pending

The Sliding Shutter has several innovative design features for which patents are being applied.

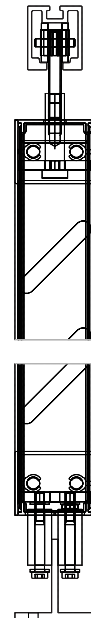
LUXALON®

Maximum Span



Spans

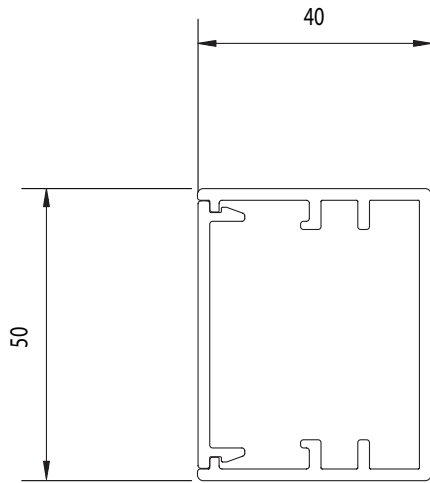
The sturdy extruded fins allow for relatively large shutter width. Maximum shutter height is subject to the shutter width and local wind load. Please refer to the applicable span table.



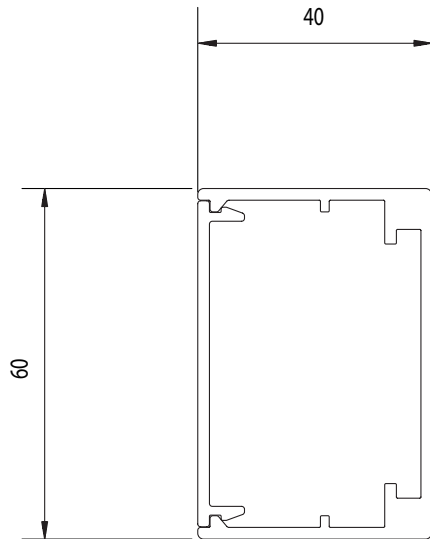
Section detail

Note: Calculating the value of the local wind load is the responsibility of the installer who must take into account the regulations laid down by local authorities. For corners, roof edges or special designs wind pressure/suction will be determined with due consideration of the relevant local country's Standard Code of Building Practice.

Frame Types



Frame 1 only fixed fins

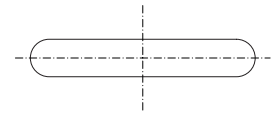


Frame 2 fixed and adjustable fins

Fin Types

- Aluminium

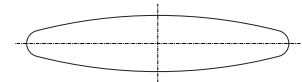
Fin 1 (fixed) 60 x 10 mm



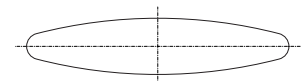
Fin 2 (fixed) 60 x 17.5 mm



Fin 3 (fixed) 70 x 15 mm



Fin 4 (adjustable) 70 x 15 mm



- Wood

Fin 5 (adjustable) 68 x 16 mm



LUXALON®



Material Specifications

- Finishes

The aluminium fins and frames can be supplied with anodized finish or with a polyester powder coating. Western Red Cedar is a durable wood which can be used untreated or oiled.

- Luxalon® Colour Range

RAL or NCS colours are available or you may request custom colours.

Solar Protection Tool

In order to design the optimal Sun Control System for buildings Luxalon® has developed a Solar Protection Tool. This tool takes into consideration the orientation of the façade and the position of the building. It shows the sun and its shading during the day and throughout the year in and on the building. These calculations are made for projects by our project support team.

For additional information contact the Luxalon® sales office.

Product specifications are available in digital format.

HunterDouglas®

Hunter Douglas is the world market leader in daylight regulation and solar heat control solutions with window covering and architectural products. The group, which origin goes back to 1919, is comprised over 150 companies with manufacturing and assembly organizations in more than 100 countries.

HUNTER DOUGLAS EUROPE B.V.

2, Piekstraat - P.O. Box 5072 - 3008 AB Rotterdam - Tel. 010-4869911 - Fax 010-4847910 - www.luxalon.com

© Registered trademark - a HunterDouglas® product Pats. & Pats. Pend. - Technical data subject to change without notice. MX406S00
© Copyright Hunter Douglas 2004. No rights can be derived from copy, text pertaining to illustrations or samples. Subject to changes in materials, parts, compositions, designs, versions, colours etc., even without notice.



LUXALON®
SUN CONTROL SYSTEMS

www.luxalon.com