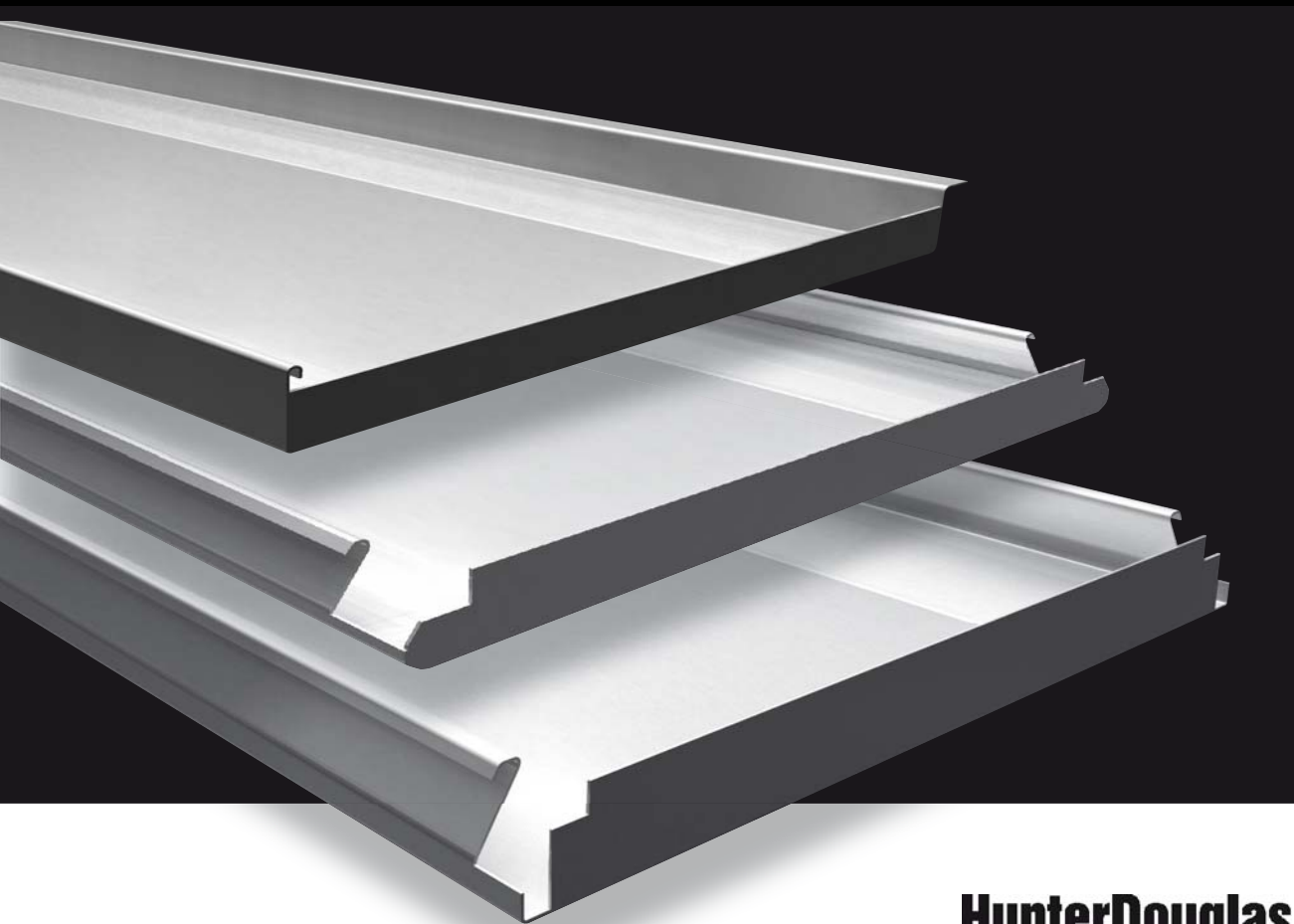


LUXALON®

Wide Panel

Hunter Douglas Wide Panel Ceilings enables the architect to design a closed ceiling with high performance aluminium or steel materials. In order to give **maximum freedom in design** there is a wide choice in panels with soft edges for a monolithic ceiling appearance or panels with square edges which results in a smooth ceiling with a narrow butt joint.



HunterDouglas

CEILING

Wide Panel

Impressive Size

Impressive Panel



DESIGN FLEXIBILITY

The robust wide panel appearance provides interesting possibilities for spatial room designing. The ceiling panels show a straight L-joint, neat V-joint or a 10 mm wide recessed joint. The panels can be installed as Clip-in, Lay-on, Carrier or C-grid system. The 300 mm wide panels are available up to 6 m length. A range of colours and finishes is standard available and special colours upon request.

DURABILITY

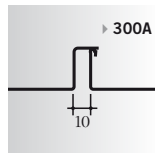
Wide panel ceilings are manufactured from durable roll formed aluminium (0.7 mm) or steel (0.6 mm) coil, finished with a polyester paint to provide a long, low maintenance life. The coating is stove enamelled in a continuous coil coating process ensuring uniform coating thickness and absolute adhesion. For exterior applications aluminium panels with Luxacote® finish are available.

EASY PLENUM ACCESS

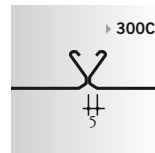
The panels can be easily demounted by hand allowing easy and full access to services and installation in the plenum.

ACOUSTIC PERFORMANCE

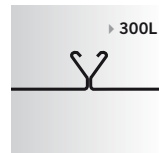
In order to improve the acoustic comfort in a room, the ceiling panels can be perforated with a 1.5 or 2 mm round hole. As a standard feature, perforated panels can be supplied with a sound absorbing non woven tissue glued into the panel for enhanced acoustical performance.



Clean 10 mm wide reveal



Neat V-Joint



Straight L-joint



Our 300 mm wide panel ceiling system establishes a distinct, robust look. Panels span lengths up to 6 m, requiring fewer panels and joints to reduce installation cost. With three joint options and a variety of perforations for acoustical performance, our wide panels trim costs without trimming style. They are a quick way to make a big first impression.

FIRE BEHAVIOUR

All Luxalon® metal ceiling systems by Hunter Douglas obtain a high classification according to EN 13501-1. They have been tested in official fire tests at TNO-Bouw Delft, an independent Dutch building and construction research institute.

For detailed information please see our website, www.hunterdouglascontract.com

CONTENT

		Page
300C/L	Lay-on	2
	Bandraster	3
	Carrier	4
	C-grid	5
300C	Clip-in	6
300A	Lay-on	7
	Bandraster	8
	Carrier	9
Acoustics		10
Material	Specifications	11

Innovative Products Make Innovative Projects



HunterDouglas

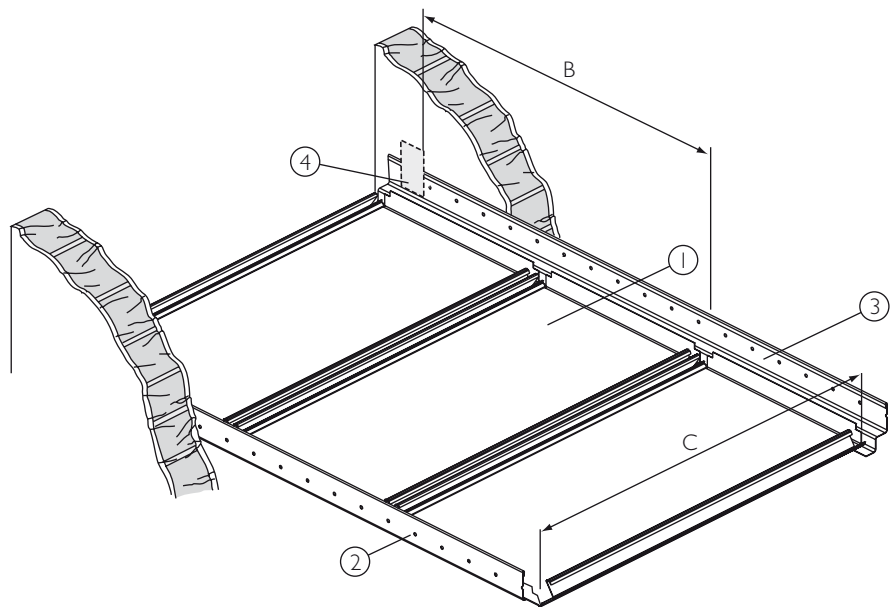
300C/L Lay-on

PANELS

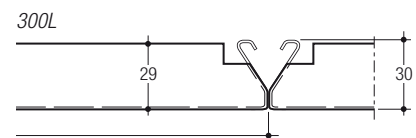
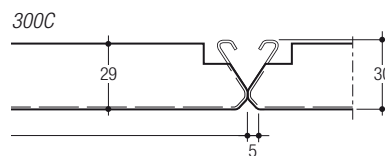
300C/L Lay-on panels are designed to be installed on wall angles.

SUSPENSION

The panels are supported at their ends by wall angle profiles (2 & 3). The panels have straight upstands at the panel ends. When accessing the plenum the panels can be lifted and stacked onto adjacent installed panels to avoid having to lower the panels down to the floor. It is possible to use the edge cover fixing piece to achieve a fire-stable installation and easy levelling of the edge profiles.

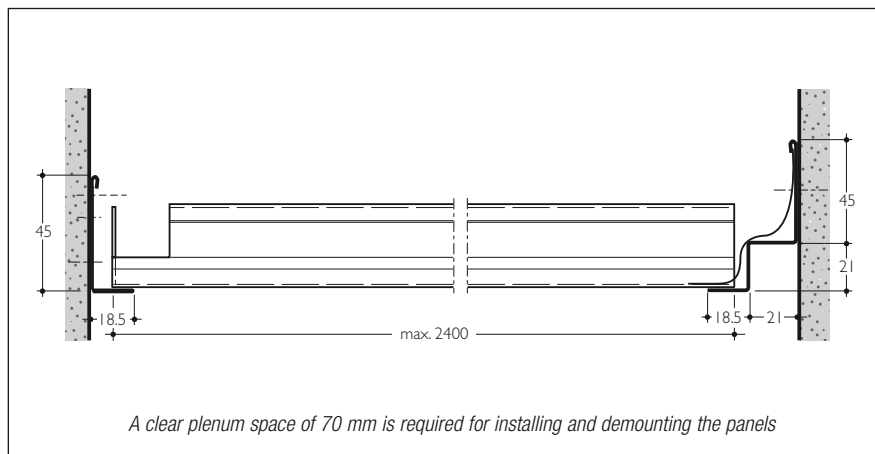


- 1 = lay-on panel
- 2 = wall L-profile
- 3 = wall W-profile
- 4 = edge cover fixing piece (optional)



CONSTRUCTION DETAILS

L or W steel edge profiles can be used as perimeters.



MAXIMUM SPANS

Panel type	Panel Span C	Fixing distance	
		B with fixing piece	B direct fixed
Alu 0.7	2400	700	300
Steel 0.6	2400	500	300

DIMENSIONS & WEIGHTS

Panels from 600-1000 mm are available on request. Weight based on 2400 mm panels.

Panel	Width	Min. length	Max. length	Weight/m ²
Alu 0.7	300	1000	2400	2.5 kg
Steel 0.6				6.0 kg

MATERIAL REQUIREMENT PER M²

Requirements are based on using panels with a length of 2400 mm.

	Unit	300C/L Lay-on system
Lay-on panels	1m	3.33
Wall profile	1m	0,83

300C/L Bandraster

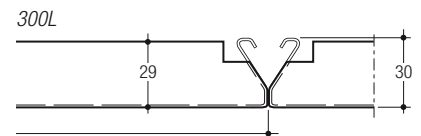
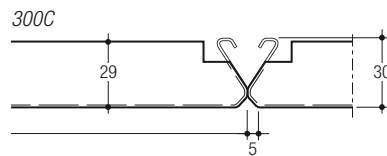
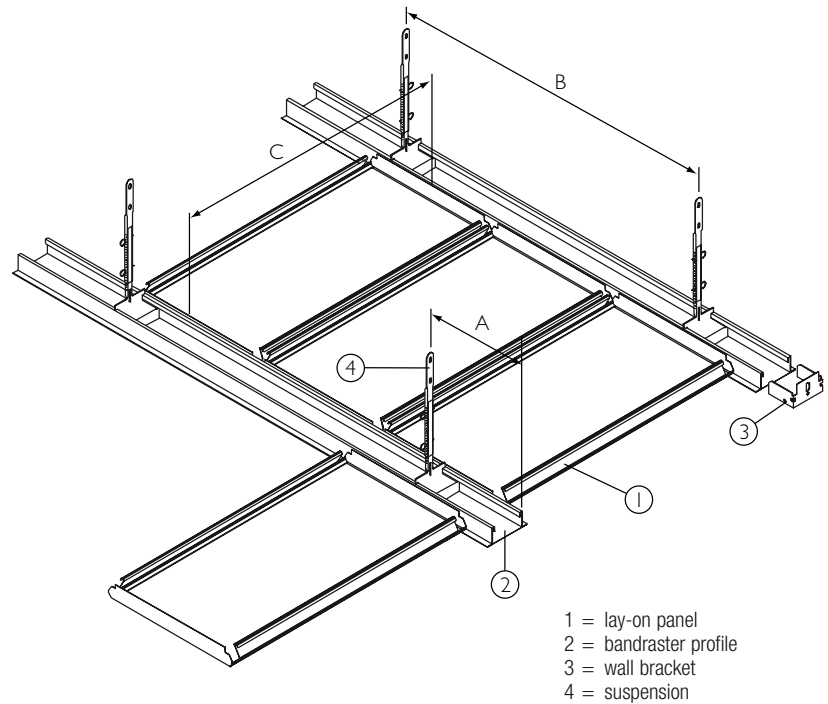
PANELS

300C/L Lay-on panels (1) designed to be installed on bandraster profiles (2).

SUSPENSION

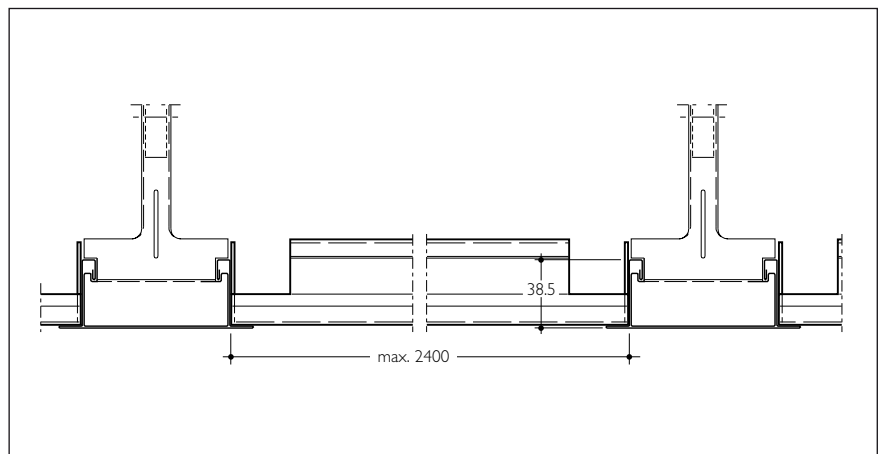
The panels have straight upstands at the panel ends.

When accessing the plenum the panels can be lifted and stacked onto adjacent installed panels to avoid having to lower the panels down to the floor.



CONSTRUCTION DETAILS

L or W steel edge profiles can be used as perimeters.



MAXIMUM SPANS

Panel type	Profile Span		Panel Span C
	A	B	
Alu 0.7/Steel 0.6	Non Hunter Douglas	Non Hunter Douglas	2400

DIMENSIONS & WEIGHTS

Panels from 600-1000 mm are available on request. Weight based on 2400 mm panels including sub-structure.

Panel	Width	Min. length	Max. length	Weight/m ²
Alu 0.7	300	1000	2400	3.5 kg
Steel 0.6				7.0 kg

MATERIAL REQUIREMENT PER M²

Requirements are based on using panels with a length of 2400 mm.

	Unit	300C/L Bandraster system
Panels	lm	3.33
Bandraster profile (non HD)	lm	0,42

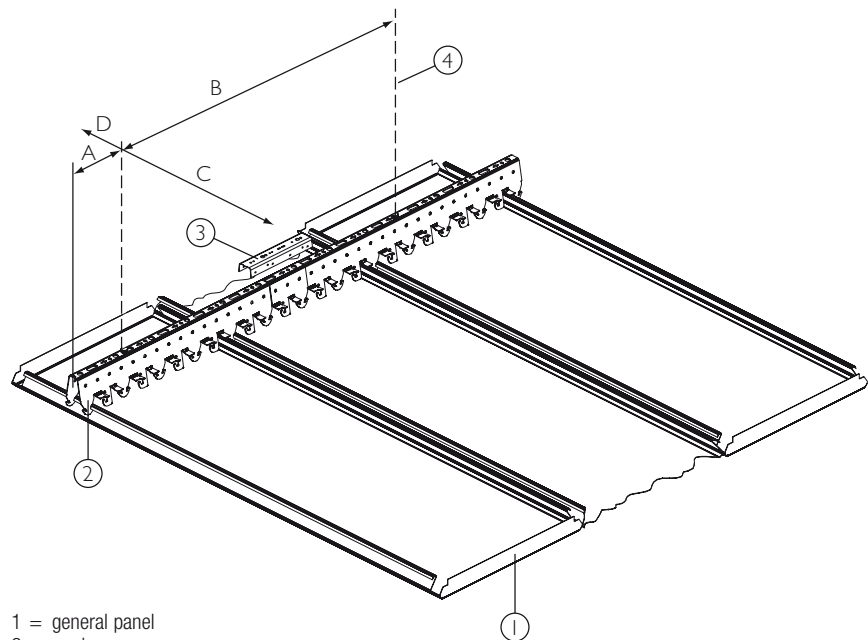
300C/L Carrier

PANELS

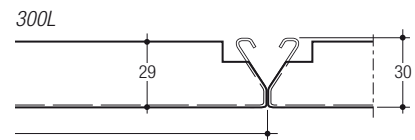
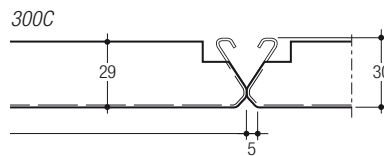
The panels can simply be fixed on the carrier (2) by hanging one side of the panel on the prongs of the carrier and pressing the other side with an upward movement. Integrated locking clips onto the carrier can be used. This system is also available for exterior use.

SUSPENSION

The panels are fixed to a carrier which allows for all panels to be removed individually. By keeping simultaneous pressure on the panel edge the panels can be moved down of the carrier.

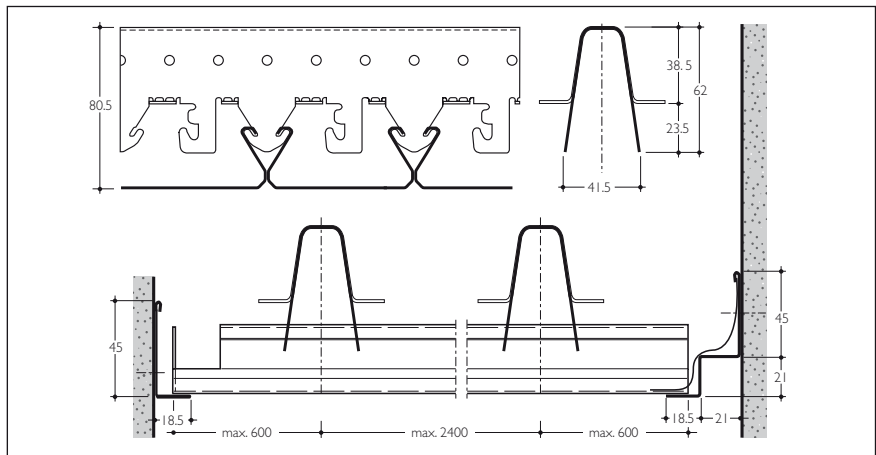


- 1 = general panel
- 2 = carrier
- 3 = carrier splice
- 4 = hanger



CONSTRUCTION DETAILS

A standard range of edge profiles can be used as perimeters.



MAXIMUM SPANS

Panel type	Carrier Span				Panel Span			
	Steel 1.0		Alu 0.95		300C		300L	
	A	B	A	B	C	D	C	D
Alu 0.7	300	2000	300	1450	2400	600	1800	300
Steel 0.6	300	1600	N.A.	N.A.	2400	600	1800	300

DIMENSIONS & WEIGHTS

Panels from 600-1000 mm are available on request. Weight based on 2400 mm panels including sub-structure.

Panel	Width	Min. length	Max. length	Weight/m ²
Alu 0.7	300	1000	2400	2.9 kg
Steel 0.6				6.4 kg

MATERIAL REQUIREMENT PER M²

Requirements are based on using panels with a length of 2400 mm.

* Depending on steel or alu carrier

	Unit	300C/L Carrier system
Panels	lm	3.33
Carrier	lm	0.42
Carrier splice	pcs	0.08
Suspension	pcs	variable: 0.21 - 0.37*

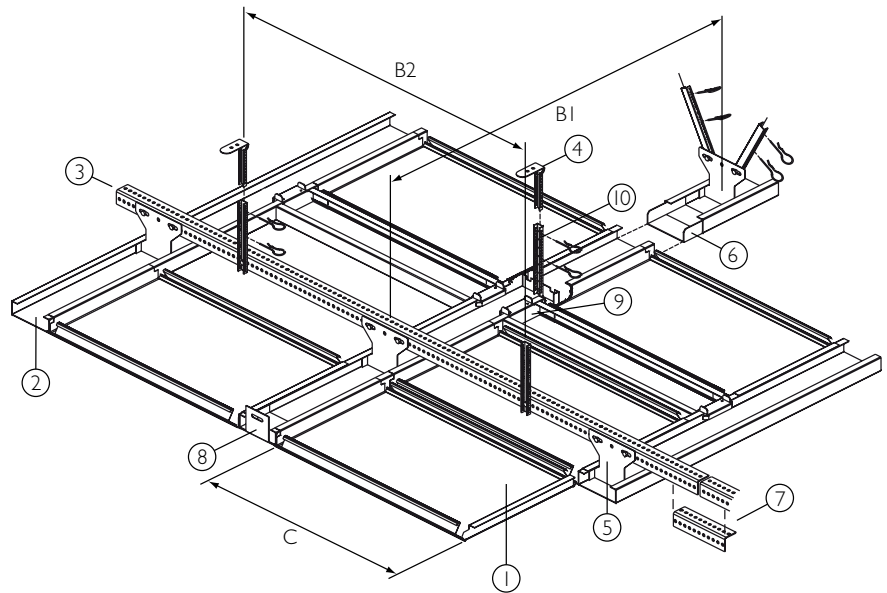
300C/L C-Grid

PANELS

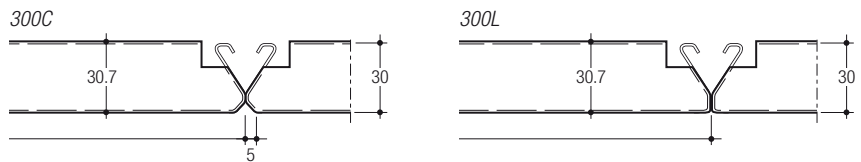
The system consists of C-grid sections installed unidirectional or in a grid pattern. The panels (1) have a flange on each side and are laid in between the C-grid sections (2).

SUSPENSION

The suspension structure consists of exposed C-grid sections (2) which are installed parallel to each other to form a continuous main support. These are cross braced by primary angles (3) to ensure the spacing between the sections. A square grid system can be made by incorporating C-grid cross members that are butt joined against the main section. The cross connector (9) ensures a close fit at the junction points.

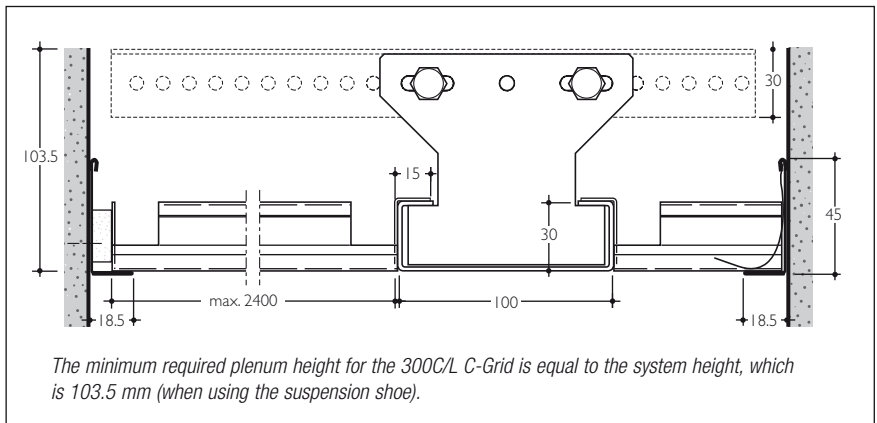


- 1 = C-grid panel
- 2 = C-grid
- 3 = primary angle
- 4 = nonius hanger + locking clips
- 5 = C-grid suspension shoe
- 6 = C-grid splice
- 7 = primary angle splice
- 8 = C-grid wall bracket
- 9 = C-grid cross connector
- 10 = C-grid nonius hanger



CONSTRUCTION DETAILS

A standard range of steel edge profiles can be used as perimeters.



MAXIMUM SPANS

Consult Hunter Douglas for your exact requirements.

Panel type	Profile Span		Panel Span	
	B1	B2	300C	300L
Alu 0.7/Steel 0.6	1250	1450	2400	1800

DIMENSIONS & WEIGHTS

Panels from 600-1000 mm are available on request. Weight based on 2400 mm panels including sub-structure.

Panel	Width	Min. length	Max. length	Weight/m ²
Alu 0.7	300	1000	2400	4.1 kg
Steel 0.6				7.3 kg

MATERIAL REQUIREMENT PER M²

Requirements are based on using panels with a length of 2400 mm (uni directional).

	Unit	300C/L C-grid system
Panels	lm	3.33
C-grid	lm	0.42
C-grid splice	pcs	0.08
Primary angle	lm	0.80
Angle splice	pcs	0.16
Suspension	pcs	0.55
Suspension shoe	pcs	0.33

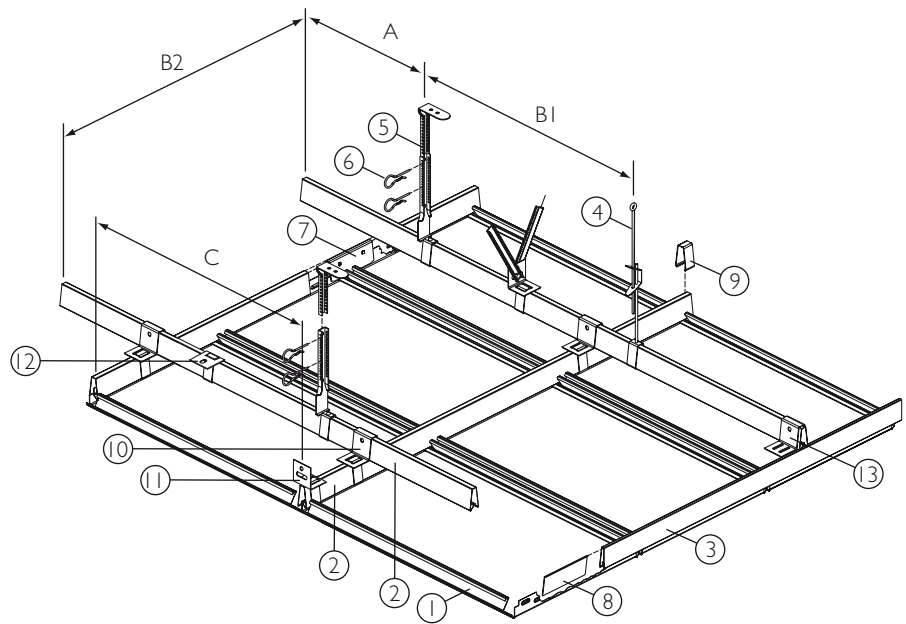
300C Clip-in

PANELS

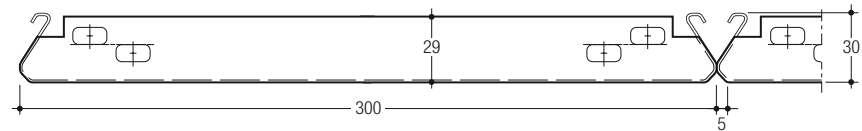
300C Clip-in panels (1) are produced with notches (dimple points) in the panel ends to ensure a positive lock into the Clip-in profile (2).

SUSPENSION

The Clip-in suspension system (2) consist of an A-shaped profile which is used both as the upper primary support as well as the Clip-in profile support.

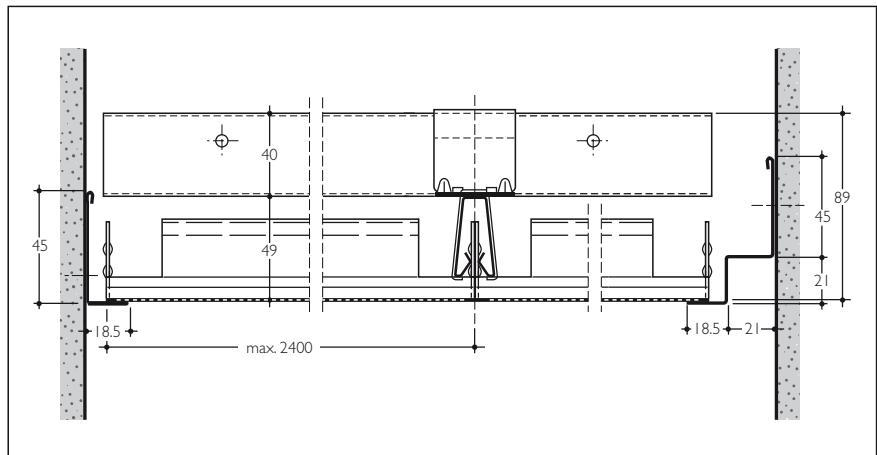


- 1 = clip-in panel
- 2 = clip-in profile
- 3 = single clip-in profile
- 4 = rod hanger
- 5 = nonius hanger
- 6 = locking clip
- 7 = clip-in profile splice
- 8 = single clip-in profile splice
- 9 = standard end clamp
- 10 = clip-in cross connector
- 11 = wall bracket
- 12 = direct wall/ceiling bracket
- 13 = single clip-in cross connector



CONSTRUCTION DETAILS

Hanger systems may be used, including the rapid hanger system which allows for a quick and accurate ceiling alignment. The standard range of Hunter Douglas steel edge profiles can be used as perimeters.



MAXIMUM SPANS

Panel type	Clip-in Profile Span			Panel Span C
	A	B1	B2	
Alu 0.7/Steel 0.6	250	1250	1200	2400

DIMENSIONS & WEIGHTS

Panels from 600-1000 mm are available on request. Weight based on 2400 mm panels including sub-structure.

Panel	Width	Min. length	Max. length	Weight/m ²
Alu 0.7	300	1000	2400	3.7 kg
Steel 0.6				7.7 kg

MATERIAL REQUIREMENT PER M²

Requirements are based on using panels with a length of 2400 mm. Edge profiles and other accessories depend on individual project requirements.

	Unit	300C Clip-in system
Panels	lm	3.33
Primary grid	lm	0.42
Secondary grid	lm	0.83
Clip-in profile connector	pcs	0.35
Clip-in profile splice	pcs	0.25
Suspension	pcs	0.67

300A Lay-on

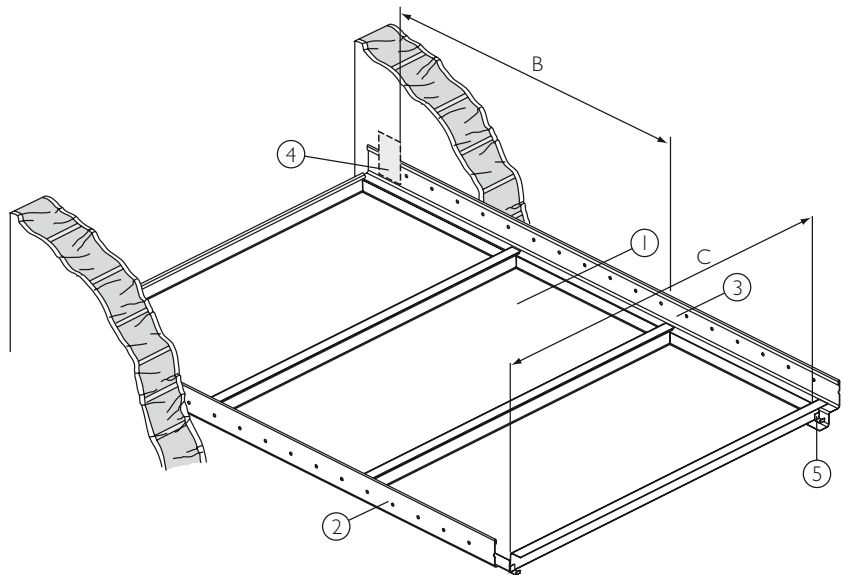
PANELS

300A Lay-on panels (1) designed to be installed on wall angle profiles (2 & 3).

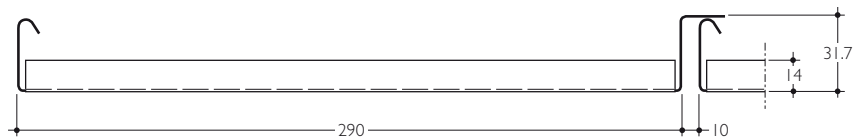
SUSPENSION

The panels have straight upstands at the panel ends to provide rigid and flat panels. The panels can be lifted and stacked onto adjacent installed panels to avoid having to lower the panels to the floor when accessing the plenum.

A distance piece is used to assure a regular 10 mm joint pattern.

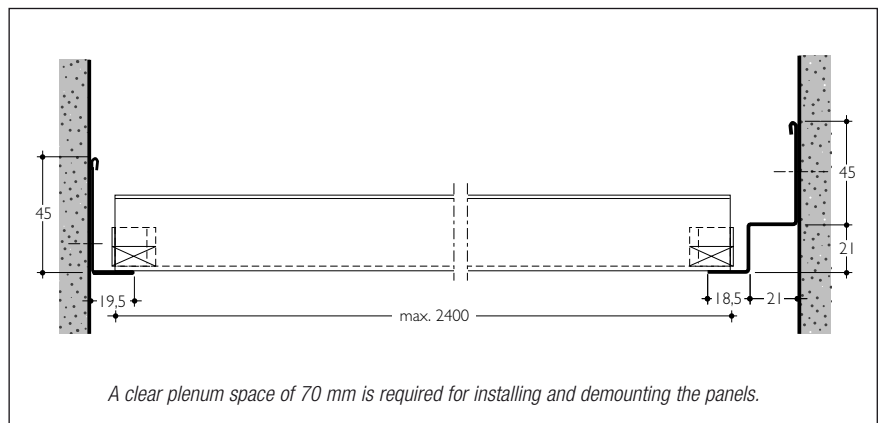


- 1 = lay-on panel
- 2 = wall L-profile
- 3 = wall W-profile
- 4 = edge cover fixing piece (optional)
- 5 = lay-on distance piece



CONSTRUCTION DETAILS

Steel L or W shaped edge profiles can be used as perimeters.



MAXIMUM SPANS

Panel type	Panel Span C	Fixing distance	
		B with fixing piece	B direct fixed
Alu 0.7	2400	700	300
Steel 0.6	2400	500	300

DIMENSIONS & WEIGHTS

Panels from 600-1000 mm are available on request. Weight based on 2400 mm panels.

Panel	Module	Min. length	Max. length	Weight/m ²
Alu 0.7	300	1000	2400	2.5 kg
Steel 0.6				6.0 kg

MATERIAL REQUIREMENT PER M²

Requirements are based on using panels with a length of 2400 mm.

	Unit	300A Lay-on system
Lay-on panels	lm	3.33
Wall profile	lm	0.83
Distance clip	pcs	6.66

300A Bandraster

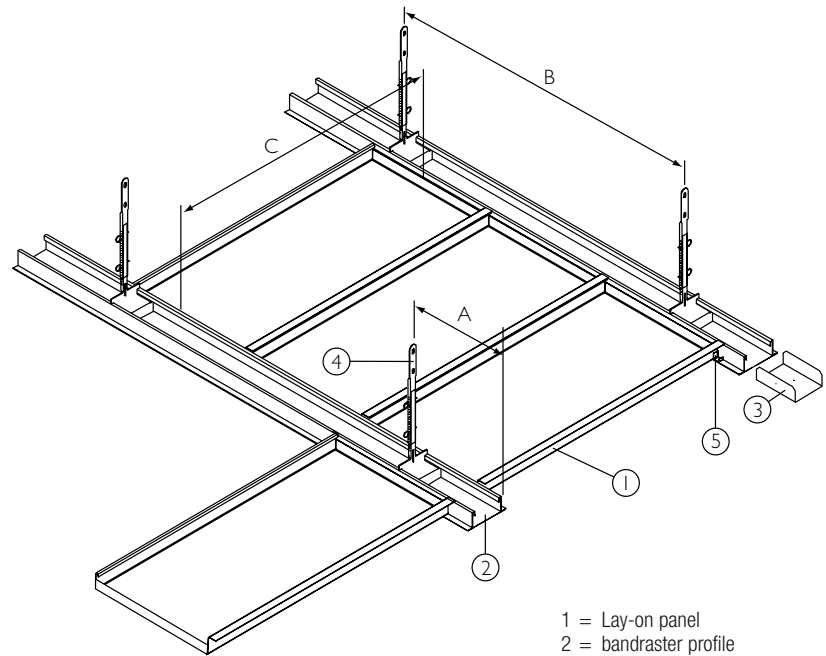
PANELS

300A Lay-on panels (1) designed to be installed on bandraster profiles (2).

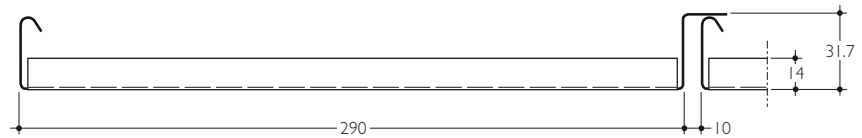
SUSPENSION

The panels have straight upstands at the panel ends to provide rigid and flat panels. The panels can be lifted and stacked onto adjacent installed panels to avoid having to lower the panels to the floor when accessing the plenum.

A consistent 10 mm joint is ensured using the distance piece.

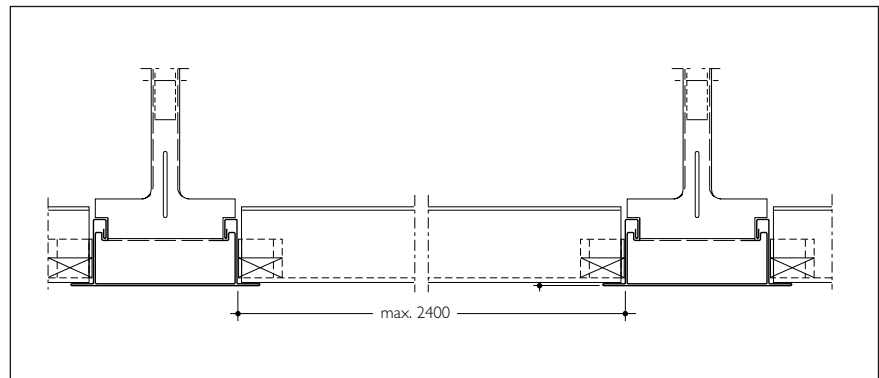


- 1 = Lay-on panel
- 2 = bandraster profile
- 3 = splice
- 4 = suspension
- 5 = Lay-on distance piece



CONSTRUCTION DETAILS

A standard range of steel edge profiles can be used as perimeters.



MAXIMUM SPANS

Panel type	Profile Span		Panel Span C
	A	B	
Alu 0.7/Steel 0.6	Non Hunter Douglas	Non Hunter Douglas	2400

DIMENSIONS & WEIGHTS

Panels from 600-1000 mm are available on request. Weight based on 2400 mm panels including sub-structure.

Panel	Module	Min. length	Max. length	Weight/m ²
Alu 0.7	300	1000	2400	3.5 kg
Steel 0.6				7.0 kg

MATERIAL REQUIREMENT PER M²

Requirements are based on using panels with a length of 2400 mm.

	Unit	300A Lay-on system
Lay-on panels	lm	3.33
Bandraster profile (non HD)	lm	0.42
Distance piece	pcs	6.66

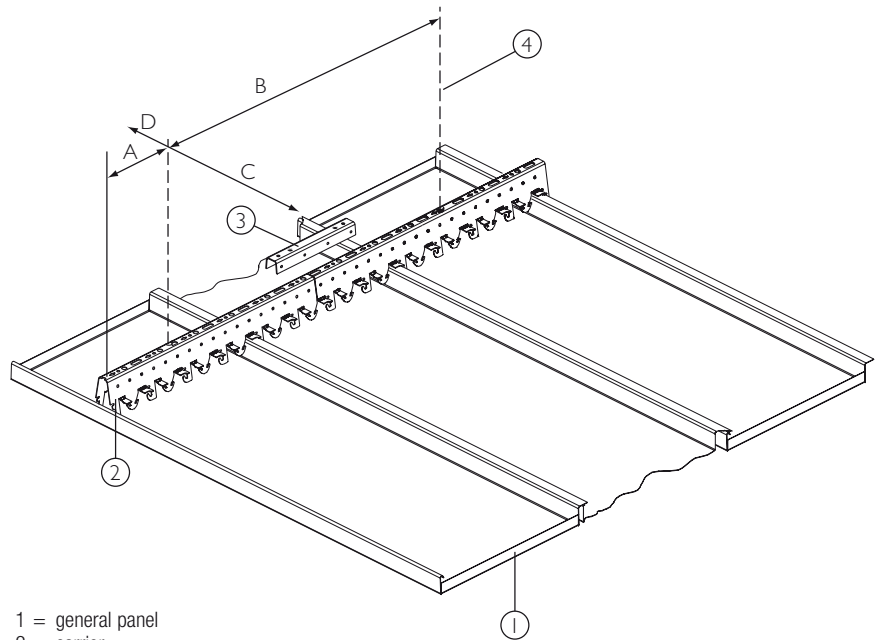
300A Carrier

PANELS

The panels can simply be fixed on the carrier (2) by laying the flange of the panel on the adjacent panel and hooking the opposite side on the prong of the carrier for a demountable ceiling.

SUSPENSION

The panels are hooked to a carrier which allows for all panels to be removed individually. They can be removed by applying upward pressure to the centre of the flange side of an adjacent panel. Subsequently the panel can be lifted and unhooked.

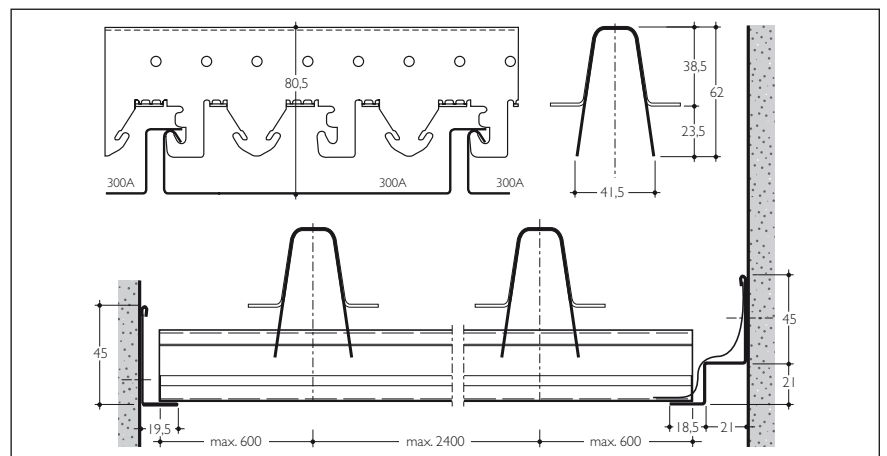


- 1 = general panel
- 2 = carrier
- 3 = carrier splice
- 4 = hanger



CONSTRUCTION DETAILS

A standard range of edge profiles can be used as perimeters.



MAXIMUM SPANS

Panel type	Carrier Span				Panel Span	
	Steel 1.0		Alu 0.95		C	D
	A	B	A	B		
Alu 0.7	300	2000	300	1450	2400	600
Steel 0.6	300	1600	N.A.	N.A.	2400	600

DIMENSIONS & WEIGHTS

Panels from 600-1000 mm are available on request. Weight based on 2400 mm panels including sub-structure.

Panel	Module	Min. length	Max. length	Weight/m ²	
				Steel carrier	Alu. carrier
Alu 0.7	300	1000	6000	2.9 kg	2.6 kg
Steel 0.6				6.4 kg	N.A.

MATERIAL REQUIREMENT PER M²

Requirements are based on using panels with a length of 2400 mm.

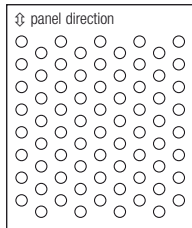
* Depending on steel or alu carrier

	Unit	300A carrier system
Panels	lm	3.33
Carrier	lm	0.42
Carrier splice	pcs	0.08
Suspension	pcs	variable: 0.21 - 0.37*

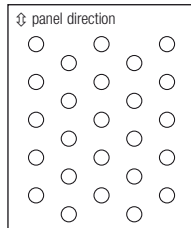
Acoustics

PERFORATION OPTIONS

Panels can be supplied perforated with a \varnothing of 1.5 or 2.0 mm (open area of 23% and 15%). As a standard feature, perforated panels are supplied with a sound absorbing non-woven tissue glued into the panel for enhanced acoustical performance.

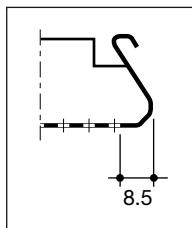


\varnothing 1.5 mm
23% open area
 Δ 3 mm



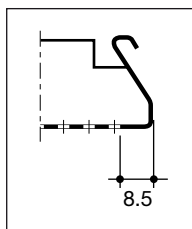
\varnothing 2.0 mm
15% open area
 Δ 5 mm

300C



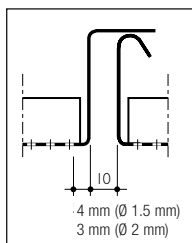
Note: Panels have a nominal plain border of 8.5 mm along the longitudinal panel direction in order to assure maximum flatness and product stability.

300L



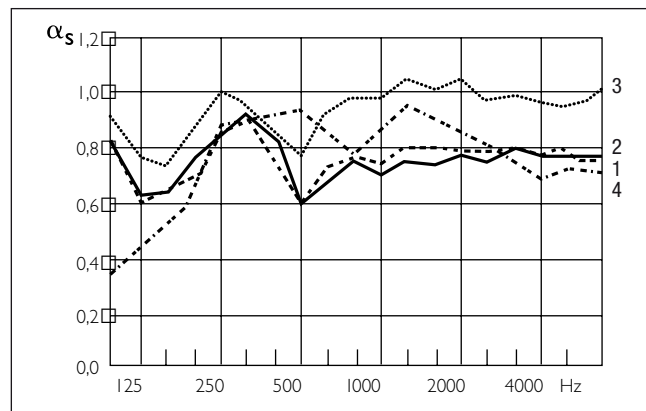
Note: Panels have a nominal plain border of 8.5 mm along the longitudinal panel direction in order to assure maximum flatness and product stability.

300A



Note: Panels have a nominal plain border along the longitudinal panel direction in order to assure maximum flatness and product stability.

SOUND ABSORPTION DATA 300 C/L



300A/C/L

α_s = sound absorption degree:
an absorption of 1.0 indicates a 100% absorption of sound.

- Curve 1 α_s 300A/C/L

\varnothing 2.0 mm perforated panels, provided with 0.2 mm thick, black non-woven acoustic tissue glued over the whole perforated area. Plenum depth is 400 mm.

- Curve 2 α_s 300A/C/L

\varnothing 1.5 mm perforated panels, provided with 0.2 mm thick, black non-woven acoustic tissue glued over the whole perforated area. Plenum depth is 400 mm.

- Curve 3 α_s 300A/C/L

\varnothing 1.5 mm perforated panels, provided with 0.2 mm thick, black non-woven acoustic tissue glued over the whole perforated area plus 25 mm thick mineral wool pad with a density of 16 kg/m³. Plenum depth is 400 mm.

- Curve 4 α_s 300A/C/L

\varnothing 2.0 mm perforated 300A panels, provided 25 mm thick mineral wool pad with a density of 22 kg/m³ wrapped in polyethene foil. Plenum depth is 400 mm.

Freq. Hz.	125	250	500	1000	2000	4000	α_w
Curve 1	0.61	0.85	0.59	0.75	0.78	0.76	0.75(L)
Curve 2	0.62	0.82	0.60	0.70	0.78	0.77	0.75(L)
Curve 3	0.76	0.99	0.75	0.97	1.05	0.95	-
Curve 4	0.42	0.85	0.93	0.83	0.84	0.69	-

The 300C Wide Panel ceilings were tested by TNO Delft (The Netherlands), an independent official testing institute. Report no.: TPD-HAG-RPT-94-0037

300L panel due to shape similar performance as 300C panel.

Material



We are dedicated manufacturing a sustainable product. Our paint and aluminium melting processes are considered to be one of the industry standards in terms of clean production processes. All aluminium products are 100% recyclable at the end of their lifecycle.



Our proprietary coil-coating process ensures ceiling panels get a superb finish. Independent tests have proven the excellent performance characteristics of Luxacote®. The topcoat contains a solid UV filter that guarantees perfect colourfastness and gloss stability. The topcoat also offers better resistance against scratches with a structure that resists and masks any minor damage that may occur during installation, resulting in a high abrasion resistance. The alloy and pre-treatment also offer optimal resistance to corrosion.

SPECIFICATIONS

- Coating

The tough and durable 2-layer polyester finish in a nominal thickness of 20 microns, is stove enamelled in a continuous coil-coating process ensuring uniform coating thickness and absolute adhesion.

- Colour range

The standard Hunter Douglas interior and exterior colour range for 300A/C/L includes several different colours and finishes. See colour chart. Any other (RAL or NCS) colour is available on request.

- Tolerances

As a member of the Technical Association of Industrial Metal Ceiling Manufacturers (TAIM), Hunter Douglas complies with tolerance criteria as specified in chapter 4 of the TAIM Quality standards for metal.

EXTERIOR USE:



Exterior building applications cope with severe conditions like wind, rain, snow, dirt, vandalism and UV light. Our special aluminium alloy, high-quality surface treatments featuring Luxacote® and our windproof systems ensure durability in applications like canopies, shopping centres and railway/underground stations.

- Box-shape, bevel-edge and round-edge panels
- Special alloy of corrosion-resistant aluminium
- Luxacote® coating system resistant to UV and scratches and is rain-, dirt- and snow-proof
- Certified for wind loads

HUNTER DOUGLAS ARCHITECTURAL PRODUCTS

In the last 80 years, we've been fortunate enough to help turn countless innovative sketches into innovative buildings.



Architects, designers, investors and contractors from around the world have taken advantage of Hunter Douglas' unmatched product development, service and support. Chances are, you've seen more of Hunter Douglas than you think.

With major operation centres in Europe, North America, Latin America, Asia and Australia, we've contributed to thousands of high-profile projects, from retail and commercial facilities to major transit centres and government buildings.

Not only are the world's architects and designers our partners, they're our inspiration. They continue to raise the bar for excellence. We create products that help bring their visions to life: Window Coverings, Ceilings, Sun Control Systems and Façades.



Promoting sustainable
forest management
www.pefc.org

© Registered trademark - a HunterDouglas® product Pats. & Pats. Pend. - Technical data subject to change without notice.
© Copyright Hunter Douglas 2005. No rights can be derived from copy, text pertaining to illustrations or samples. Subject to changes in materials, parts, compositions, designs, versions, colours etc., even without notice. MX071Z00

ARCHITECTURAL SERVICES

We support our business partners with a wide range of technical consulting and support services for architects, developers and installers. We assist architects and developers with recommendations regarding materials, shapes and dimensions and colours and finishes. We also help creating design proposals, visualisations and mounting drawings. Our services to installers range from providing detailed installation drawings and instructions to training installers and advising on the building site.



LUXALON®

HunterDouglas

HUNTER DOUGLAS is a publicly traded company with activities in more than 100 countries with over 150 companies.

The origin of our company goes back to 1919, in Düsseldorf, Germany. Throughout our history, we have introduced innovations that have shaped the industry, from the invention of the continuous aluminium caster, to the creation of the first aluminium Venetian blinds, to the development of the latest high-quality building products.

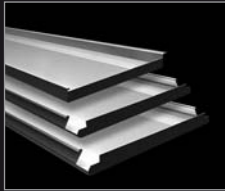
Today we employ more than 17.000 people in our companies with major operation centres in Europe, North America, Latin America, Asia and Australia.

**Innovative Products
Make Innovative Projects**

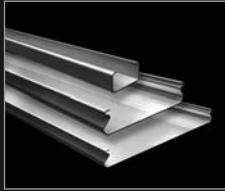
Learn More

- Contact our Sales office
- www.hunterdouglascontract.com

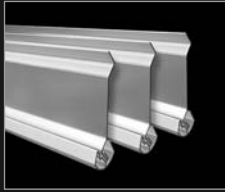
Wide Panel



Linear



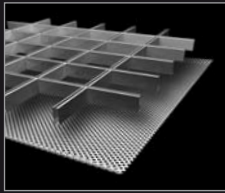
Screen



Tiles
XL panel



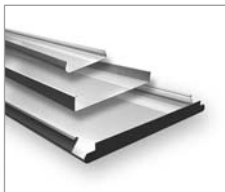
Cell
Stretch metal



Chilled
Curved



Exterior



- Austria
- Belgium
- Bulgaria
- Croatia / Slovenia
- Czechia
- Denmark
- France
- Germany
- Greece
- Hungary
- Ireland
- Italy
- Kazakhstan
- the Netherlands
- Norway
- Poland
- Portugal
- Romania
- Russia
- Serbia
- Slovakia
- Spain
- Sweden
- Switzerland
- Turkey
- Ukraine
- United Kingdom
- Africa
- Middle East

- Asia
- Australia
- Latin America
- North America

HUNTER DOUGLAS EUROPE B.V.
 2, Piekstraat
 P.O. Box 5072 - 3008 AB Rotterdam
 Tel. 010-4869911 - Fax 010-4847910
www.hunterdouglascontract.com

HunterDouglas