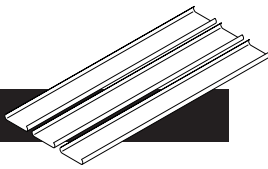
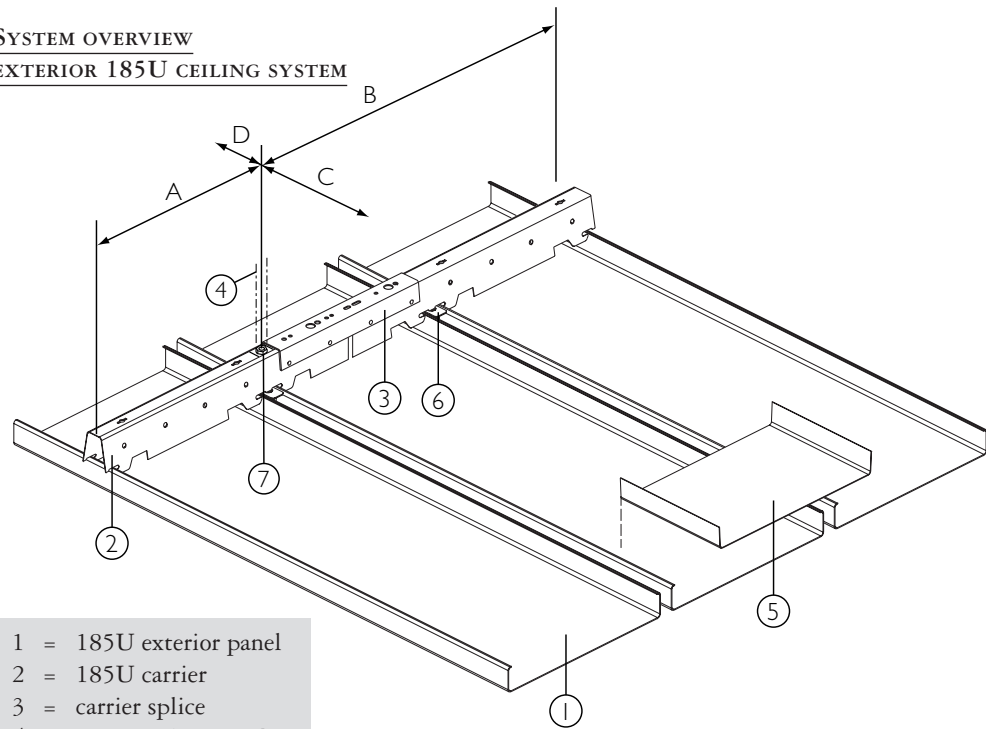


www.luxalon.com





SYSTEM OVERVIEW
EXTERIOR 185U CEILING SYSTEM



- 1 = 185U exterior panel
- 2 = 185U carrier
- 3 = carrier splice
- 4 = non Luxalon® rigid subconstruction
- 5 = panel splice
- 6 = fixing clip
- 7 = washer set

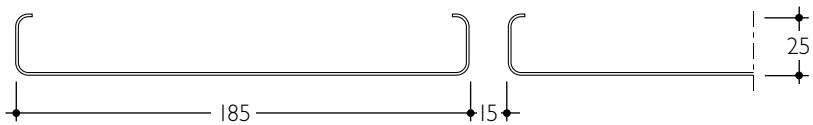
SHORT SYSTEM DESCRIPTION

The Luxalon® exterior 185U ceiling system consists of box shaped, 185 mm wide, 0.95 mm thick aluminium panels (1) which can be easily clicked on the 185U carrier (2). The stove enamelled aluminium panels are recyclable, lightweight and strong. The panels are made to measure and can be supplied in any length up to 6000 mm. Panels can be joined by using the panel splice (5).

Between the panels there is an open joint of 15 mm. Fixing clips (6) can be inserted between the panels in order to lock the panels on the carrier.

The carrier (2) is black, made of 0.95 mm thick stove enamelled aluminium and is provided with prongs to accommodate the panels in a module of 200 mm. Carriers have a standard length of 5000 mm and are connected by using the carrier splice (3).

The carriers can be suspended at centres determined by the wind loading graphs (see opposite page) using a rigid levelled suspension system. Utilising the washerset (7) to isolate dissimilar metals.



PRACTICAL APPLICATION

- Panel length made to measure up to 6000 mm, allowing for swift installation and reducing the need for joining the panels to a minimum.
- Panels are made from a corrosion resistant aluminium alloy, which makes the panels strong and excellent resistant to corrosion.
- The panels can be removed and replaced by hand, providing easy and full access to services and installations in the plenum.
- Strong, robust, panels made of 0.95 mm aluminium provide good resistancy against e.g. vandalism.
- The patented Luxacote® finish guarantees colour stability and high resistance against scratches and corrosion.

MAXIMUM SPANS

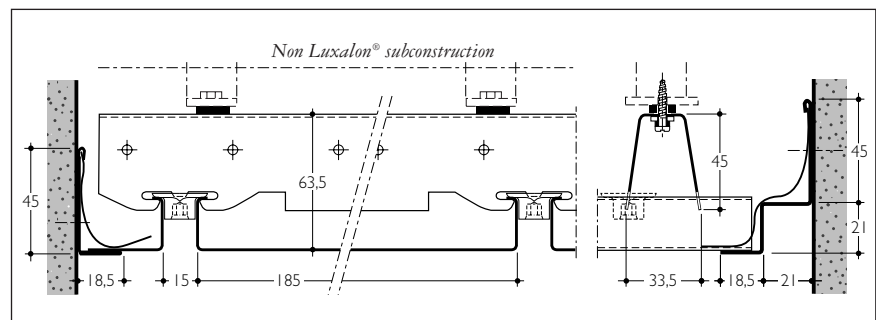
| Panel type | Carrier span (mm) | | Panel Span (mm) | | | |
|------------|-------------------|---------------------|---------------------|-----|-----------------------|-----|
| | A | B | on 2 carriers | | on 3 or more carriers | |
| | | | C | D | C | D |
| 185U | 300 | See graph next page | See graph next page | 150 | See graph next page | 150 |

DIMENSIONS & WEIGHTS

| Panel | Width | Module | Min. Length | Max. Length | Weight panels & carrier/m ² * |
|-------|-------|--------|-------------|-------------|--|
| 185U | 185 | 200 | 1000 | 6000 | 3.4 |

* Based on panels installed on 4 or more carriers with an average windload (pressure) of 1500 N/m² (nett weight without subconstruction)
Panels from 250-1000 mm and >6000 mm are available on request.

STANDARD CONSTRUCTION DETAILS



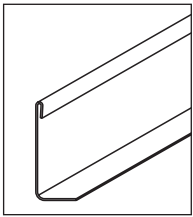
MATERIAL REQUIREMENTS PER M²

| | Unit | 185U exterior system |
|----------------|------|----------------------|
| Panels | lm | 5 |
| Carriers | lm | 0.91 |
| Carrier splice | pcs | 0.2 |
| Suspension | pcs | 2 |

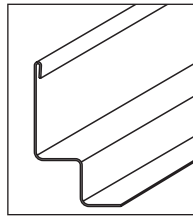
* The required number of components depend on individual project requirements

Figures are based on a ceiling installed on 4 or more carriers and submitted to a windload (pressure) of 1500N/m².

EDGE PROFILES



Wall L-profile Alu
(45 x 18.5)



Wall W-profile Alu
(45 x 21 x 21 x 18.5)

PLENUM ACCESSIBILITY

The Luxalon® exterior 185U system allows demounting of the panels. Installed on a visually hidden suspension system, each panel can be removed and replaced by hand allowing easy and full access to services and installations in the plenum.

MAXIMUM SPANS

- PANEL SPAN (C)

The panel spans, in relation to the wind load (pressure or suction), can be calculated from the graph adjacent. At 800 N/m² the panel span should be 1250 mm (on 4 or more carriers).

- CARRIER SPAN (B)

Before establishing the fixing distance of the carriers, the load per lineal meter carrier is to be determined by applying one of the following formulas:

| Panels installed on: | Calculation of 'load per lineal meter carrier' |
|----------------------|--|
| 2 carriers | 0.5 q x panel span (C) in m |
| 3 carriers | 1.25 q x panel span (C) in m |
| 4 or more carriers | 1.15 q x panel span (C) in m |

q = windload in N/m² (uniformly distributed loads)

The carrier span (fixing distance) (B) can be read from the graph besides in the same way as the panel span.

Note: For corners, roof edges, special designs etc. wind pressure/suction shall be determined with due consideration to the relevant local country's Standard Codes of Building Practice.

MATERIAL SPECIFICATIONS

- BASE MATERIAL

Luxalon® 185U exterior ceiling panels are rollformed from 1.0 mm thick prepainted stove enamelled aluminium strip produced out of an alloy which is excellent for exterior applications. All aluminium products can be recycled for the full 100% requiring very little energy.

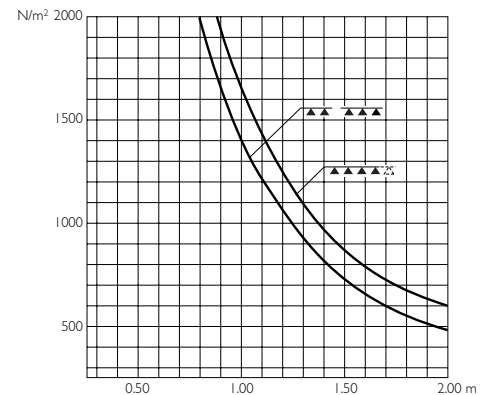
- COATING

The tough and durable Luxacote® finish in a nominal thickness of approximately 20 microns, is stove enamelled in a continuous coil-coating process ensuring a uniform coating. Luxacote® finish guarantees optimum adhesion and excellent resistance to weathering.

- LUXALON® COLOUR RANGE

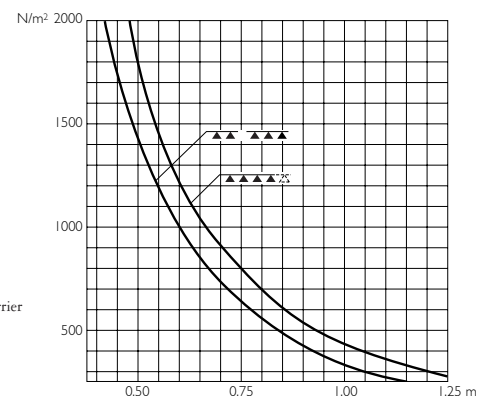
The standard Luxalon® colour range includes different colours and finishes. See Luxalon® exterior colour chart. Any other (RAL or NCS) colour is available on request.

PANEL SPAN



* When join profiles are used the max. admissible panelspan is 800 mm, irrespective to the windload

CARRIER SPAN



LUXALON® EXTERIOR 185U CEILING SYSTEM SPECIFICATION

PART 1. EXTERIOR 185U CEILING SYSTEM GENERAL

1.1 INTRODUCTION

Supply and fix Luxalon® exterior 185U ceiling system as manufactured by Hunter Douglas Architectural Products.

1.2 DESCRIPTION OF THE SYSTEM

The system will consist of box shaped linear panels fixed to an adjustable suspension system, which allows for individual panels to be removed by hand. The suspension system consists of a non-Luxalon® levelled rigid suspension structure. To prevent contact corrosion by applying dissimilar metals each fixing of the carriers to the subconstruction must be made through the Luxalon® washer set.

PART 2. PRODUCT

_____ m² Luxalon® Exterior 185U Ceiling, consisting of:

2.1 PANELS

185U, size 185 x 25 mm manufactured from 0.95 mm aluminium.

Panels to be manufactured from pre-painted, stove enamelled aluminium, corrosion resistant alloy EN-AW-3005 or equivalent (according to EN 1396 and ECCA). Panels have a length of _____ mm (manufacturer availability 1000-6000 mm and on request 250-1000 mm and > 6000 mm). Panels to be coupled in longitudinal direction by means of panel splices.

2.2 SUSPENSION

Rows of 0.95 mm aluminium rollformed carriers shall be installed at _____ centre on centre by means of a levelled rigid suspension system of sufficient strength and rigidity to provide resistance to wind pressure/ -suction at a distance of _____, centre on centre. Carriers will be joined by means of carrier splices. Carriers provided with prongs to hold panels with a total module of 200 mm.

PART 3. ADDITIONAL SPECIFICATIONS

3.1 PERIMETER PROFILES

- Wall L-profile 45 x 18.5 mm made of 0.8 mm thick aluminium
- Wall W-profile 45 x 21 x 21 x 18.5 mm made of 0.8 mm thick aluminium

3.2 COATING

Architect will make a colour selection from the standard Hunter Douglas colour range for Luxalon® exterior 185U panels code no. _____ or a special colour will be made to match.

The coating will consist of a tough and durable Luxacote® finish in a nominal thickness of approximately 20 microns, applied in a continuous coilcoating process ensuring a uniform coating. Luxacote® finish guarantees optimum adhesion and excellent resistance to weathering

3.3 INSTALLATION

All materials shall be installed in strict compliance with all local codes, ordinances and manufacturers recommendations including specific additional requirements as may be called for in the specifications or shown on the drawings.



LUXALON® CEILING SYSTEMS

Unit 7 & 8 Keys Business Park - Keys Park Road - Hednesford - WS12 5GW

Tel. (01543) 273620 - Fax (01543) 270084 - e-mail: luxalon-ceilings@hunter-douglas.co.uk - www.luxalon.com

©Registered trademark - a HunterDouglas® product Pats. & Pats. Pend. - Technical data subject to change without notice. MX259Q60
©Copyright HunterDouglas® 2003. No rights can be derived from copy, text pertaining to illustrations or samples. Subject to changes in materials, parts, compositions, designs, versions, colours etc., even without notice.

LUXALON®
ARCHITECTURAL PRODUCTS

